



The DNA of tech.®

P16F, PA16F Knob Panel Potentiometer

Integrated Knob for a Complete Solution Avoids the Need to Assemble Two Parts and Improves Ergonomics



ADVANTAGE

Integration and space optimization. Simplify your knob design, purchasing, and storage management by choosing the integrated P16F knob solution.

KEY PRODUCT FEATURES

- ✓ Compact dimensions, limited clearance required behind panel
- ✓ High dielectric strength between terminals and knob
- ✓ Fully sealed and panel sealed per IP67



MARKETS AND APPLICATIONS



MOBILITY

- Crane
- Agricultural Vehicles



INDUSTRIAL

- Motor Drives
- Welding
- HVAC
- Lighting
- Control Panels



AMS

- Soldier Equipment



MEDICAL

- Hospital Equipment

RESOURCES





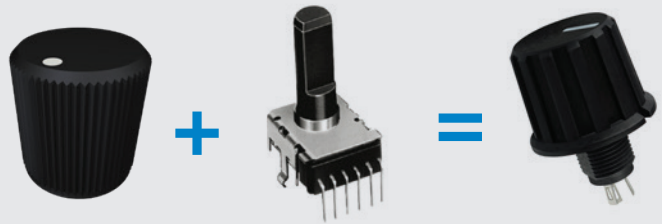
The DNA of tech.

P16F, PA16F Knob Panel Potentiometer

ADVANTAGE 1: INTEGRATION

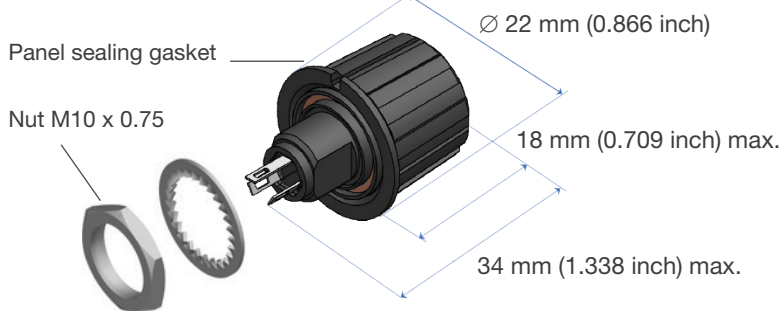
Integrated knob avoids the need to assemble two parts and improves ergonomics

2 in 1



ADVANTAGE 2: SPACE OPTIMIZATION

Very small overall dimensions

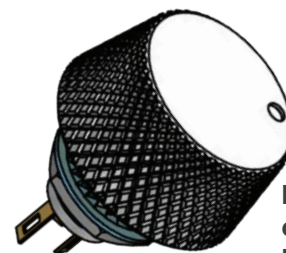


ALL DESIGNS AVAILABLE

P	16F	Cermet track for industrial markets
	A16F	Conductive plastic for audio applications
	16F RSD	P16F + a rotary switch
	16F CV1D	PA16F + a detent in CCW position

DO NOT SEE WHAT YOU NEED?

We understand that customization for potentiometers is pretty much the norm. So you can share any customization needs for your application with our dedicated design teams. Our experienced engineers will support you by converting these specific requirements into custom products to achieve your design objectives. Send us an email describing your custom requirements and our design experts will respond to you shortly: [Contact Our Design Expert](#)



Example of custom metallic knob shape

To simplify your design and save space, consider the P16F with integrated knob. Please [contact us](#) for more information or [check our stock online](#).